



EEOptics Corporation

High Speed Polarization Rotator/Modulator(1064nm)

Features

- Precise, high-speed polarization rotation control
- Linear Response
- 180 degree polarization rotation
- Long Life Time
- Low Loss
- Compact in Size
- Wide Response Bandwidth

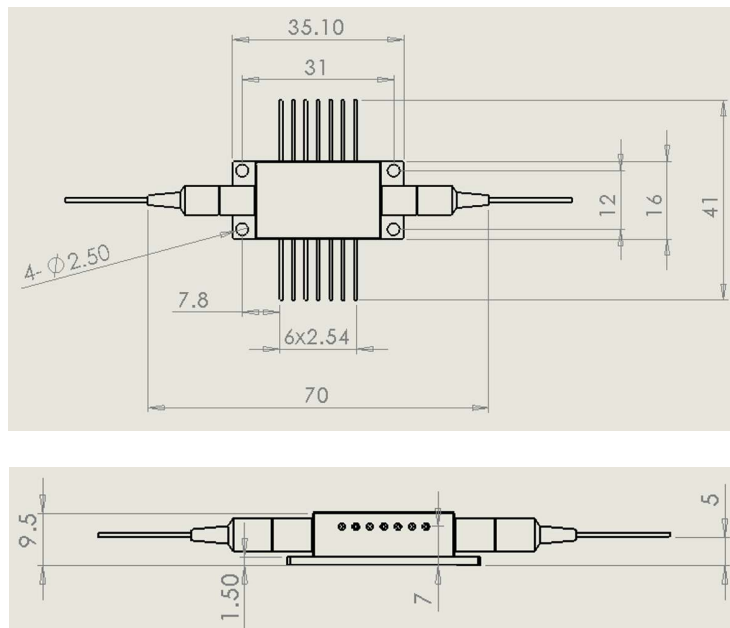
Applications

- Polarization switching
- Polarization Scrambler
- Variable digital group delay
- Polarization management
- Interferometers and Sensing systems



EEOptics Corporation's Polarization Rotators/Modulators provide a continuous rotation of any polarized light with the applied control voltage in high modulation rate. They are developed based on EEO crystals and can rotate State of Polarization (SOP) through phase retardation. EEOptics' polarization rotators are fast with less than 10 μ s response speed, linear response to the control signal, long lifetime without limitation on the cycles, solid state without moving parts, completely vibration free, and compact in size.

Dimensions





EEOptics Corporation

Specifications	
Parameters	
Optical Performances	
Operating Wavelength	1064nm ¹
Insertion Loss (IL)	<1.2dB
Polarization Dependence Loss (PDL)	<0.2dB
Return Loss	>50dB
Optical Power Handling	500mW ²
Electrical Performances	
Response Time (Rise/Fall Time)	<10μs ³
V _π (@room temperature)	V _π <60V
Modulation Rate	DC~ 130kHz ⁴
Physical/Environmental Performances	
Operating Temperature	0 ~ 80° C
Storage Temperature	-40 ~ 80°C
Dimension	70mm x 41mm x 9.5mm
Notes:	
1. Other wavelengths are available 2. High power version is available 3. Driver dependent 4. Higher modulation rates are available	

Ordering Information

PRM-	Wavelength	Package	Fiber type		Connector
			Input	Output	
0 – Polarization Rotator 1 – Polarization Modulator S – Special	0 - 1550 1 - 1310 2 - 1064 S - Special	0 – Butterfly(w/o TEC) OT –Butterfly(w/TEC) S - Special	1 - Single mode fiber 2 - PM Panda fiber S - Special	0 - Bare fiber 1 - 0.9mm loose tube S - Special	0 - None 1 - FC/APC 2 - FC/PC S - Special

For example:

P/N: PRM-0-2-0-11-1-00

Description: High Speed Polarization Rotator, 1064nm, butterfly package, without TEC, single mode fiber in/out, 0.9mm loose tube, without connectors on both ends